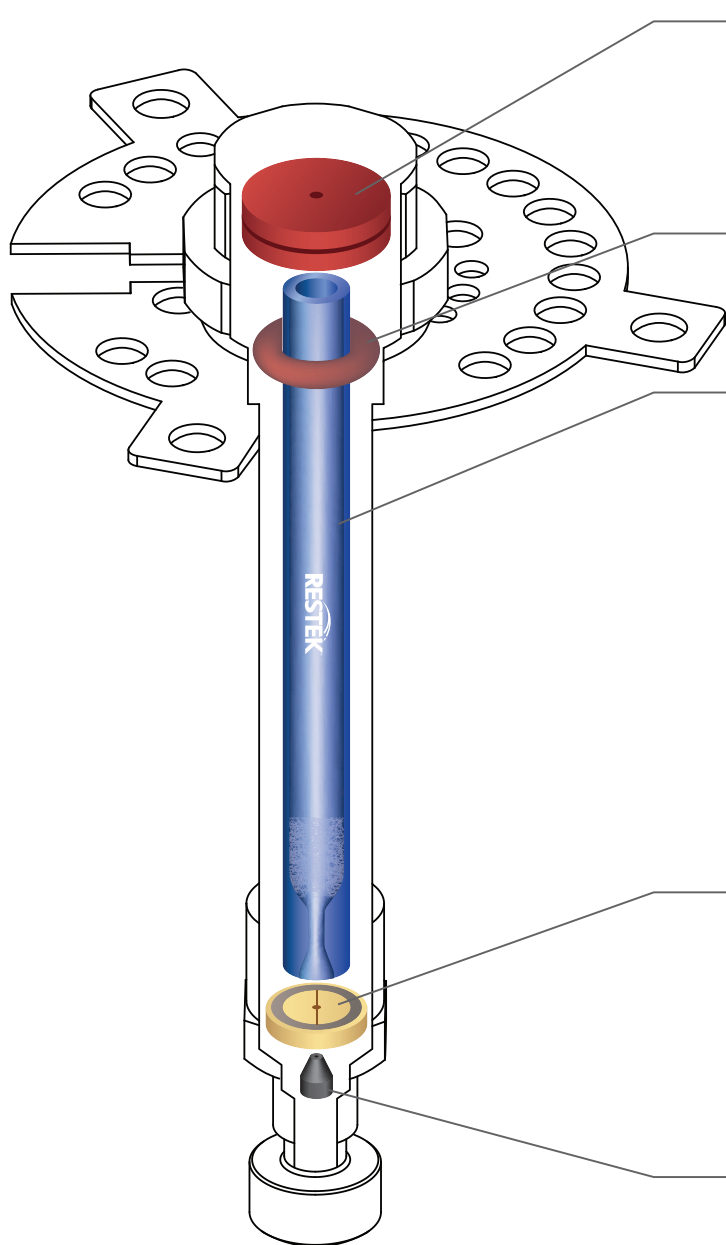


Inlet Supplies for Agilent GCs With Split/Splitless Inlet



Septa (11 mm)

Thermolite Septa	
Usable to 340 °C inlet temp.	
qty.	cat.#
50-pk.	27142
100-pk.	27143

Premium Non-Stick BTO Septa	
Usable to 400 °C inlet temp.	
qty.	cat.#
50-pk.	27090
100-pk.	27091

Viton® O-Rings

Description	Max Temp	Similar to Agilent part #	10-pk. cat.#	50-pk. cat.#
Viton O-Rings for Agilent GCs	300 °C	5188-5365	22241	22242

Sky® Inlet Liner

ID x OD x L	qty.	cat.#
Single Taper, Sky Technology, Borosilicate Glass with Quartz Wool	ea.	23303.1
4.0 mm x 6.5 mm x 78.5 mm	5-pk.	23303.5
	25-pk.	23303.25

ID x OD x L	qty.	cat.#
Single Taper, Sky Technology, Borosilicate Glass	ea.	23302.1
4.0 mm x 6.5 mm x 78.5 mm	5-pk.	23302.5
	25-pk.	23302.25

ID x OD x L	qty.	cat.#
Precision, Sky Technology, Borosilicate Glass with Quartz Wool	ea.	23305.1
4.0 mm x 6.3 mm x 78.5 mm	5-pk.	23305.5
	25-pk.	23305.25

ID x OD x L	qty.	cat.#
Cyclo, Sky Technology, Borosilicate Glass	ea.	23312.1
4.0 mm x 6.3 mm x 78.5 mm	5-pk.	23312.5
	25-pk.	23312.25

Dual Vespel® Ring Inlet Seals Washerless, Leak-Tight Seals

0.8 mm ID Dual Vespel Ring Inlet Seal	2-pk. cat.#	10-pk. cat.#	50-pk. cat.#
Gold-Plated	21240	21241	23418

Replacement Inlet Seals With Washers

Single-Column 0.8 mm ID (Opening)	Similar to Agilent part #	2-pk. cat.#	10-pk. cat.#	50-pk. cat.#
Gold-Plated	5188-5367	21317	21318	23415

Compact Ferrules for Agilent 5890/6890/6850/7890 GCs

Ferrule ID	Fits Column ID	qty.	Graphite
0.4 mm	0.25/0.28 mm	10-pk.	20250
0.5 mm	0.32 mm	10-pk.	21007
0.8 mm	0.45/0.53 mm	10-pk.	20252



Restek GmbH

Schaberweg 23 * 61348 Bad Homburg

Tel: 06172 / 27 97 0 * Fax: 06172 / 27 97 77

info@restekgmbh.de * www.restekgmbh.de